



www.MIPonline.com

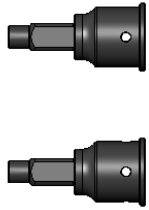
# MIP HD™ Drive Shaft Instruction Guide



MIP Coupling (x3)  
#23135



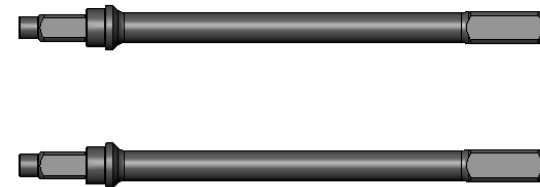
Cross Pin (x3)  
#23135



HD Drive Cup Axle (x2)  
#23130



Front HD Axle Shaft (x2)  
#23130



Rear HD Axle Shaft (x2)  
#23130



Apply MIP Lube



**WARNING!!!**  
Chemicals in tubes may cause eye/skin irritation and can be harmful if swallowed. If it comes in contact with skin, wash with plenty of soap and water. If in eyes; Rinse with water for fifteen minutes. If irritation persists get medical advice.

For more information & SDS please visit:  
[www.miponline.com/store/sds.html](http://www.miponline.com/store/sds.html)



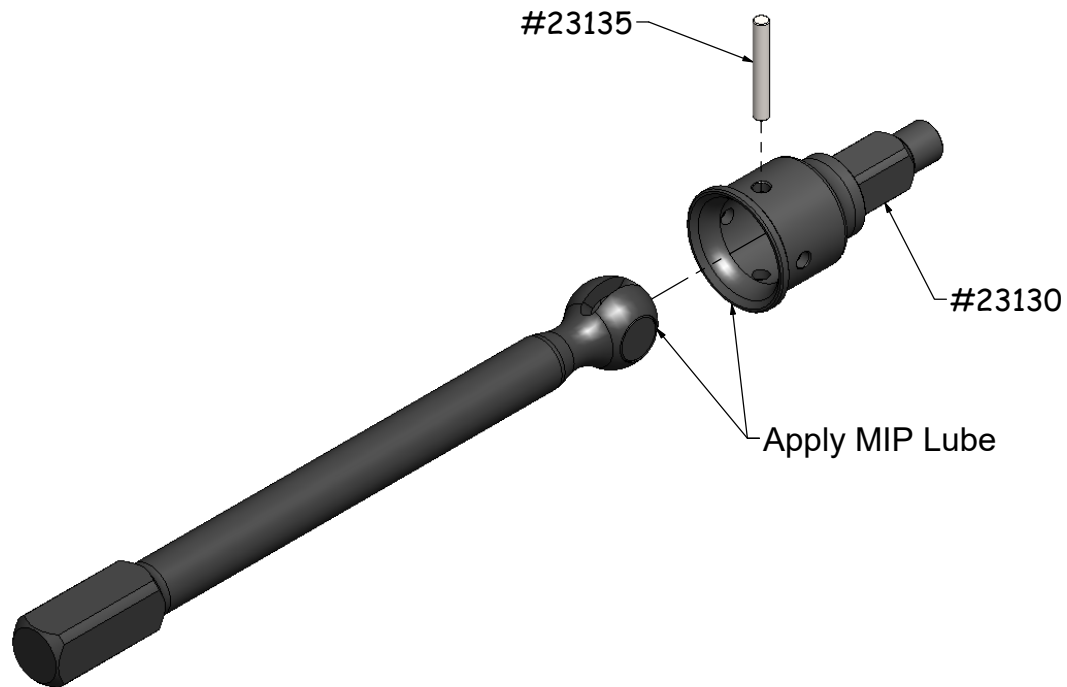
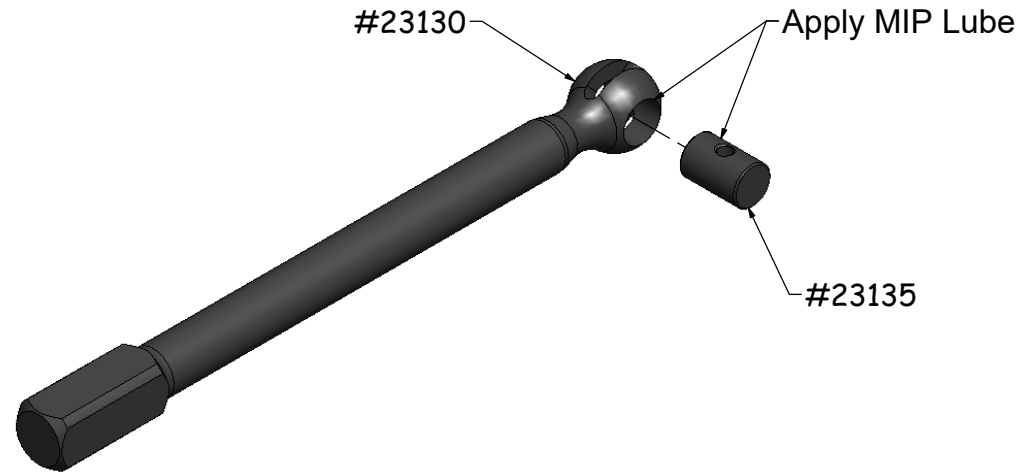
Apply MIP Thread Lock

© 2023  
Moore's Ideal Products, LLC  
830 W. Golden Grove Way  
Covina, CA 91722



www.MIPonline.com

# MIP HD™ Drive Shaft Instruction Guide



## Front Drive

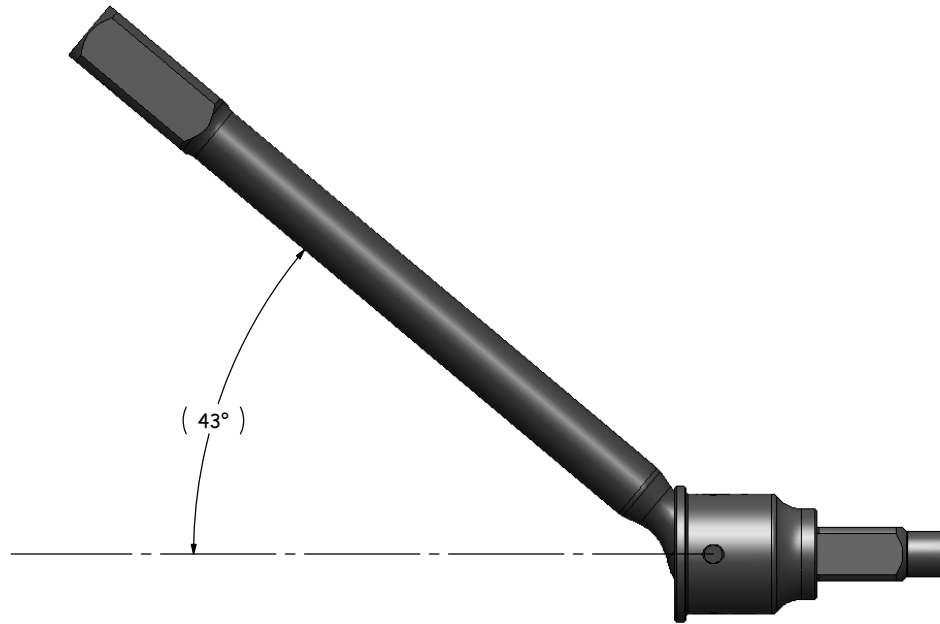
P/N: 23130

© 2023  
Moore's Ideal Products, LLC  
830 W. Golden Grove Way  
Covina, CA 91722



www.MIPonline.com

# MIP HD™ Drive Shaft Instruction Guide

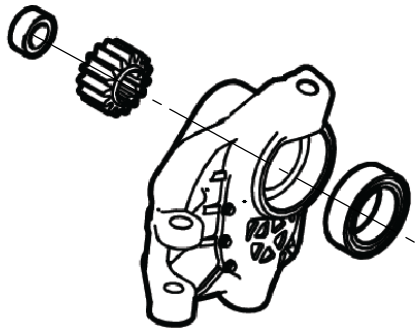


## Front Drive Steering Angle

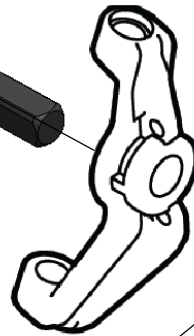


www.MIPonline.com

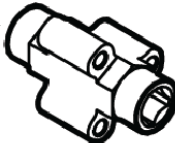
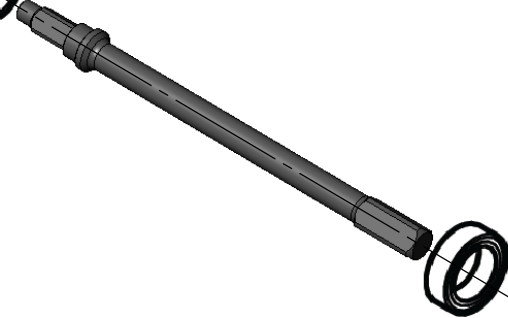
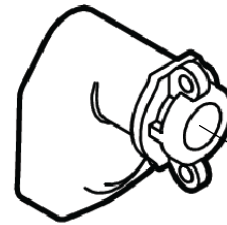
# MIP HD™ Drive Shaft Instruction Guide



FRONT DRIVE



REAR DRIVE



## Drive Installation